

QUESTION NO: 1

You want to install ContactStore on a PC separate from the VoiceMail Pro PC . Which three steps would you need to complete for ContactStore to function separately? (Choose three.)

- A.** Verify that the Voice Recording Library on the VoiceMail Pro server is shared on the customer's network.
- B.** Verify that the ContactStore service has read and write permissions to the Voice Recording Library Share.
- C.** Verify that the ContactStore registry settings have been updated to see the Voice Recording Library share.
- D.** Verify that the VoiceMail Pro registry settings have been updated to point to the Voice Recording Library share.
- E.** Verify that the ContactStore licenses have been loaded onto the PC running the ContactStore application.

Answer: A,B,C

Explanation:

QUESTION NO: 2

A remote user wants to gain access to the network when using the RAS server.

Under which two conditions would you create an IP route? (Choose two.)

- A.** when the remote user's dial-up connection method contains a DHCP address that is on a different subnet
- B.** when the user is on the same subnet as the IP Office
- C.** when the remote user's dial-up connection method contains a static IP address that is on a different subnet
- D.** when the IP Office's DHCP mode is set to Server or Dial In and the PC connection method is set to obtain an IP Address Automatically

Answer: A,C

Explanation:

QUESTION NO: 3

A user (ext. 199) reports that their IMS client displays an error message when attempting to ring a phone. What are three reasons that would prevent the IMS program from calling the phone? (Choose three.)

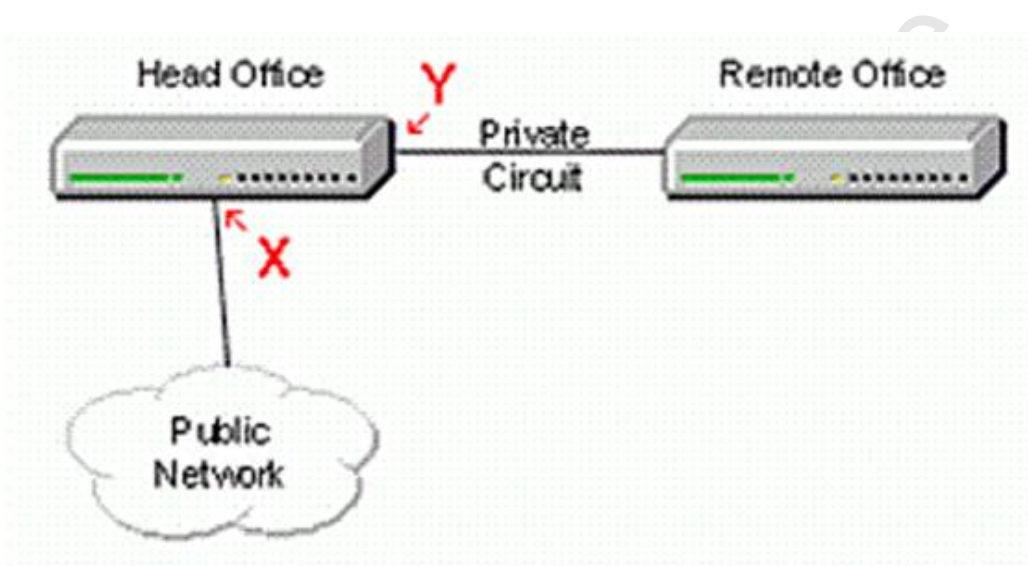
- A. The user profile in Manager has "199" entered as the user name.
- B. The phone is set for "Do Not Disturb".
- C. The user's "Multi Line Option" is set to "Answer Pre-select".
- D. The user mailbox is set to "Blank" under Outlook Tools/Integrated Messaging.
- E. The user's profile has "System Phone" is set to "On".

Answer: A,B,D

Explanation:

QUESTION NO: 4

Click the Exhibit button.



A customer has two sites, each with an IP Office linked via a private digital line (E1/T1). The head office is connected to the public network through a digital exchange line. The remote site gains access to the public network via the head office.

How should Clock Quality be set in the IP Office on the lines marked X and Y in the exhibit?

- A. X - Network -- Y - Fallback
- B. X ?Fallback -- Y - Fallback
- C. X ?Network -- Y - Unsuitable
- D. X ?Fallback -- Y - Unsuitable

Answer: C

Explanation:

QUESTION NO: 5

Which two are used to turn on Small Community Networking within the main IP Office 500?
(Choose two.)

- A. RAS
- B. FastStart
- C. Voice Networking
- D. Professional License Enabled

Answer: C,D

Explanation:

QUESTION NO: 6

How much space does a recording in VoiceMail Pro use on a hard drive?

- A. 1MB per minute
- B. 500KB per minute
- C. 2MB per minute
- D. 1.5MB per minute

Answer: A

Explanation:

QUESTION NO: 7

Which two e-mail protocols are used by VoiceMail Pro to perform voicemail to e-mail? (Choose two.)

- A. POP 3
- B. SMTP
- C. MAPI
- D. IMAP

Answer: B,C

Explanation:

QUESTION NO: 8

A customer is receiving calls to a hunt group and the callers are reporting that they are being forced to wait much longer than VoiceMail Pro reported to them during the queued message. What is a possible cause for this?

- A. The hunt group has a priority set to 1.
- B. The hunt group has a priority set to 3.
- C. There are two routes going to the hunt group. Each has different priorities set.
- D. Users in the hunt group have inconsistent priority settings. The users with a priority set to 3 are always busy.

Answer: C

Explanation:

QUESTION NO: 9

What information do you need from a customer to be able to reproduce a call park problem? (Choose three.)

- A. accurate description of the problem
- B. a System Monitor trace of the problem
- C. a Network Assessment
- D. the system configuration
- E. information on the phones and lines being used

Answer: A,D,E

Explanation:

QUESTION NO: 10

When using Small Community Networking which two features require the Small Community Advanced License to function? (Choose two.)

- A. Hot Desking
- B. Hot Desking across the SCN
- C. playing queued announcements
- D. Break Out dialing

Answer: B,D

Explanation: